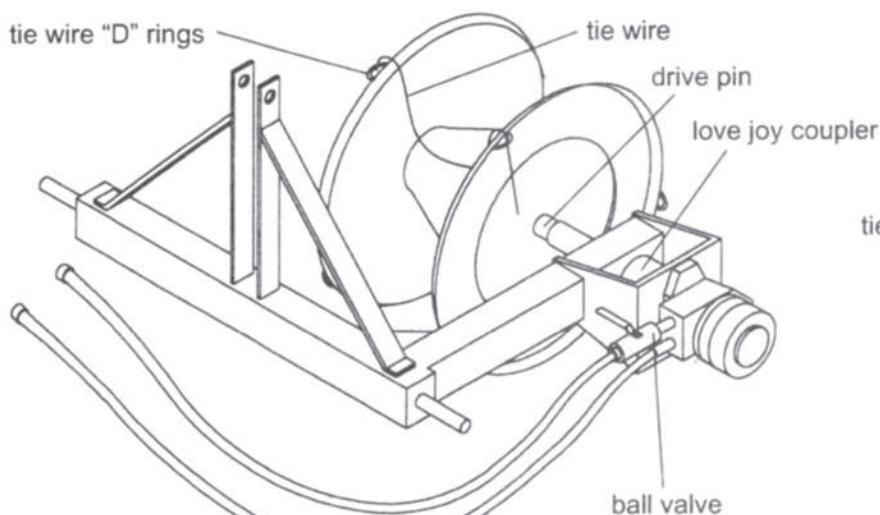
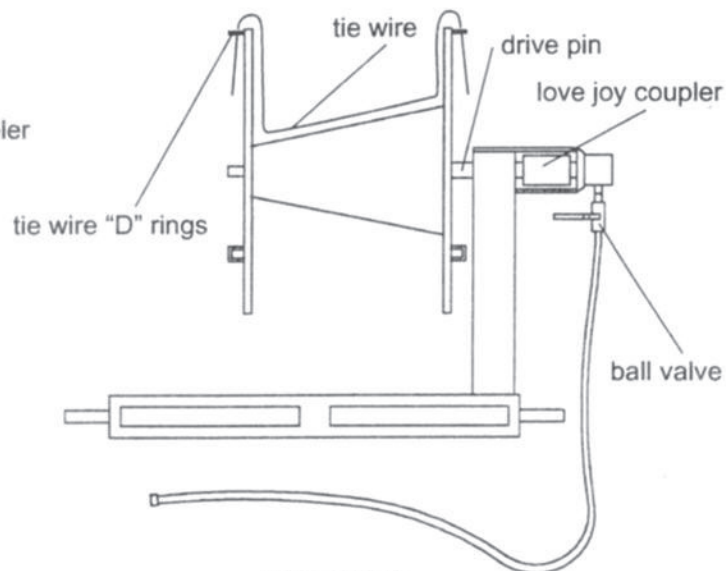


Hydraulic Wire Winder

Never sell a product or service that you would not buy yourself.



ISOMETRIC VIEW



TOP VIEW

Also Available: Wire Guide Arm

There should always be an operator on the seat of the tractor while machine is in motion. If you have not purchased the wire guide with your wire winder, you can weave the wire on the reel by moving the front end of the tractor slightly side to side with the steering wheel.

When unrolling wire, tie the end or the start of the roll, to the corner post and by putting your tractor hydraulics in float position, you will be able to drive and stop if needed without the reel free spooling. (The circulation of the oil through the system will act as a drag when in the float position.)

Make sure the 1" nut is tight before starting. When stopping, slow down gradually to a stop. This prevents damage to your love joy coupler. If stopped abruptly, damage to coupler will occur. We have made the Two Nylatron Bushings on the shaft replaceable for longer lasting life of your wire winder. Always tie your rolls of wire with wire when you remove it off the reel.



- Designed for smooth or barbed wire
- Category 1, 2, 3 point mount (special orders upon request)
- Removable reel that splits to unload wire
- Holds 1/2 mile barbed or 1 mile smooth wire (magnum unit doubles that)
- Replaceable moly impregnated polyethylene bushings on shaft to prevent wear.
- The hydraulic design allows you to start slow, speed up or slow down. No more jerking or breaking wire, etc.
- Simple to use: just park tractor in one spot, tie a weight on the end of the wire and begin pulling toward you.
- When the reel is full, tie the roll with 3 tie wires used on the 3 different positions of the reel as in the illustrations above. Then split the reel and take the tied roll of wire off the reel.
- Tie wires will work the same on all units.

Any questions on the special mounting of wire winders designed for any size operation please call.



The ball valve is installed for your safety. **Always regulate the speed of this unit from the hydraulics on the tractor! Always plug the valve hose into the power side of the hydraulics.**



NOTE: Always start slow and stop slow.



Never leave the seat of the tractor when operating!

This reel is designed for 3 tie wires to assure no spreading of the wire when it is taken off the cone. Place these wires on the reel prior to start up.